

Major changes of NWP-system:

- Operational introduction of **new global model ICON** (20 Jan 2015)
- Ensemble DA**: Global EnVAR (LETKF+3DVar) in preoperational mode
Regional LETKF is currently tuned.

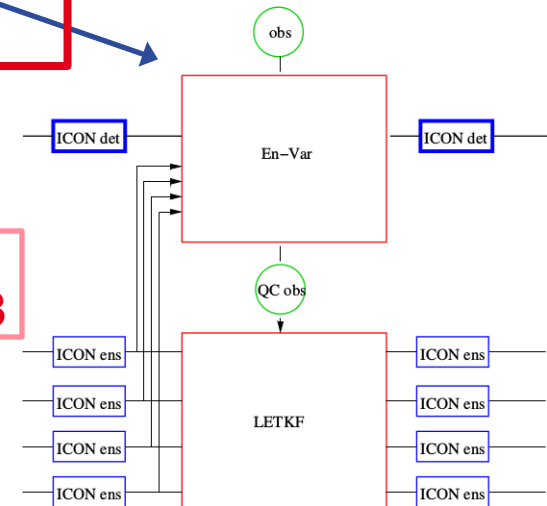


- Much improved framework for radiance assimilation (New physics, higher model top, flow-dependent B)
- Extensive pre-operational tuning period in 2014 (Interaction of radiances with new model dynamics & physics)

11p.08

Updates to satellite & radiance usage:

- Introduction of **ATMS**
- Introduction of **IASI** from METOP-A/B
- Use of **high-peaking MW** channels above land and clouds
- **Monitoring**: AMSR-2, Meteosat CSR, JASON-2 altimeter winds
- Developments for **improved QC**
- Use of (cloudy) **VIS/NIR** in regional LETKF



11.06 and 8p.05

2p.08